



MODEL T10117 BIG-MOUTH DUST HOOD w/STAND INSTRUCTIONS

Introduction

The Model T10117 Big-Mouth Dust Hood provides a method of effective dust collection for machines that do not come equipped with dust ports, or for additional dust collection when needed. The dust hood adjusts vertically from 29" to 49".

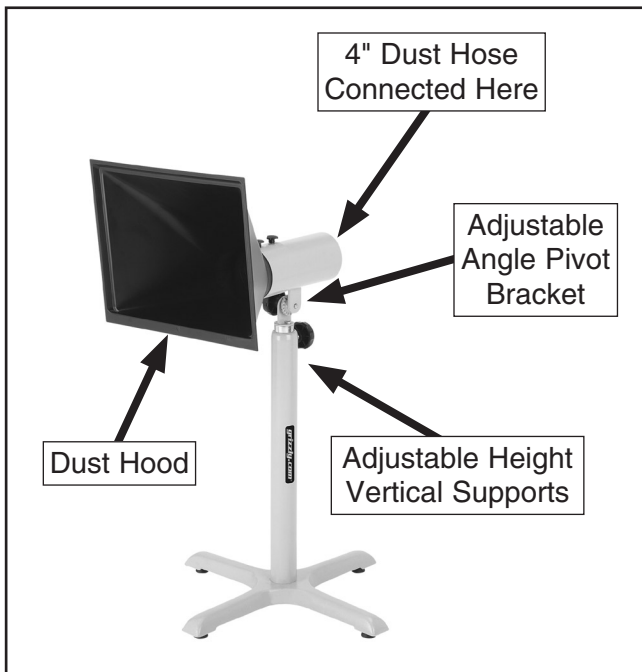


Figure 1. Model T10117 identification.

Inventory

After removing the contents of the shipping package, lay them out and refer to the **Parts Breakdown** on the back page to inventory the components.

If you need help with your new dust hood, call our Tech Support at: (570) 546-9663.

Assembly

Refer to **Figure 1** and the **Parts Breakdown** illustration to aid you in the following assembly procedure.

Tools Needed

Wrench or Socket 10, 14mm 1 Each

Qty

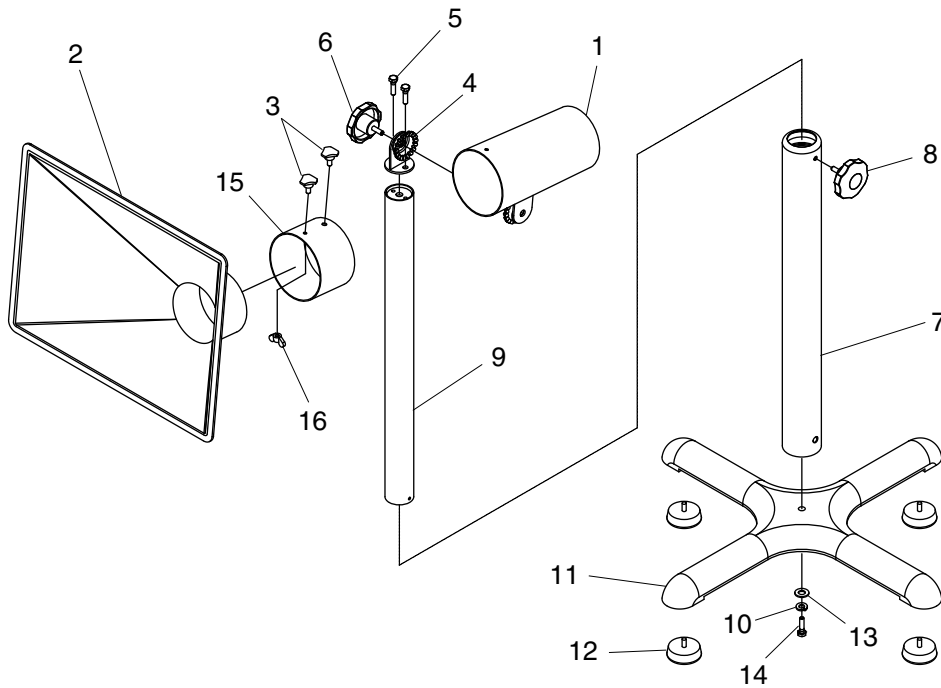
To assemble your dust hood:

1. Thread the four foot pads into the base.
2. Secure the vertical support assembly onto the base by threading the $\frac{3}{8}$ "-16 x 1" hex bolt, lock washer, and flat washer through the bottom of the base and into the support assembly.
3. Install the angle pivot bracket onto the top of the vertical support assembly with the two $\frac{1}{4}$ "-20 x $\frac{1}{2}$ " hex bolts.
4. Use the $\frac{3}{8}$ "-16 x $1\frac{1}{2}$ " knob to install the dust tube onto the angle pivot bracket.
5. Slide the hood mounting tube onto the dust tube and secure it in place with one of the $\frac{1}{4}$ "-20 x $\frac{3}{8}$ " knobs.
6. Insert the dust hood into the mounting tube, then secure it in place with the remaining $\frac{1}{4}$ "-20 x $\frac{3}{8}$ " knob and wing nut.

Operation

Adjust the angle pivot and vertical support assembly so that the hood is positioned close enough to the operation to be effective without interfering with it. Then, securely clamp a 4" dust hose between the hood assembly and your dust collection system.

T10117 Parts Breakdown



REF PART #	DESCRIPTION	QTY
1	PT10117001 DUST TUBE	1
2	PT10117002 DUST HOOD	1
3	PT21521003 KNOB 1/4-20 X 3/8	2
4	PT10117004 ANGLE PIVOT BRACKET	1
5	PB19 HEX BOLT 1/4-20 X 1/2	2
6	PT10117006 KNOB 3/8-16 X 1-1/2	1
7	PT10117007 BOTTOM VERTICAL SUPPORT	1
8	PT21521008 KNOB 5/16-18 X 3/4	1

REF PART #	DESCRIPTION	QTY
9	PT21521009 TOP VERTICAL SUPPORT	1
10	PLW04 LOCK WASHER 3/8	1
11	PT10117011 BASE	1
12	PT10117012 FOOT PAD M6-1 X 20	4
13	PW02 FLAT WASHER 3/8	1
14	PCAP14 CAP SCREW 3/8-16 X 1	1
15	PT21521015 HOOD MOUNTING TUBE	1
16	PWN02 WING NUT 1/4-20	1

COPYRIGHT © NOVEMBER, 2008 BY GRIZZLY INDUSTRIAL, INC., REVISED SEPTEMBER, 2009 (TS)
**WARNING: NO PORTION OF THIS MANUAL MAY BE REPRODUCED IN ANY SHAPE
OR FORM WITHOUT THE WRITTEN APPROVAL OF GRIZZLY INDUSTRIAL, INC.**
#TS11344 PRINTED IN TAIWAN